

plate washer



The Kbiosystems Plate Washer offers a fully automated solution for washing and drying microplates.

The Plate Washer is an economically friendly solution to saving your Microplates. We all know how important waste is in today's world, especially plastic. Kbiosystems has designed a system to reliably wash and dry Microplates to help limit waste and eliminate the hassle of destroying used Microplates (commonly incineration).

Featuring chemically resistant materials and sound mechanical engineering; the Plate Washer will clean & dry Microplates safely and efficiently.



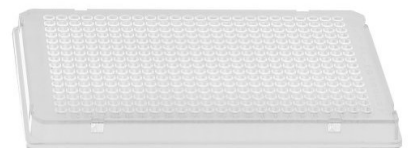
Microplate types compatible with the Plate Washer:



96 Well Microplate



96 Deep Well Microplate



384 Well Microplate

plate washer

Configurable Options

The Plate Washer is available in different variations depending on your requirements; ranging from a manually hand loaded option, to a fully automated handling system. The product can use one or two Plate Hives for a seamless and reliable autonomous experience.



Standalone Plate Washer
(Manual Loading)

Software or button control (once method is configured) for hand-loading and retrieving Microplates

Dirty Microplates are loaded to Input Hive, machine will wash, dry and transport clean Microplates to Output Hive.



Plate Washer with Input & Output
Hives (Fully Automated)

plate washer

Dimensions:

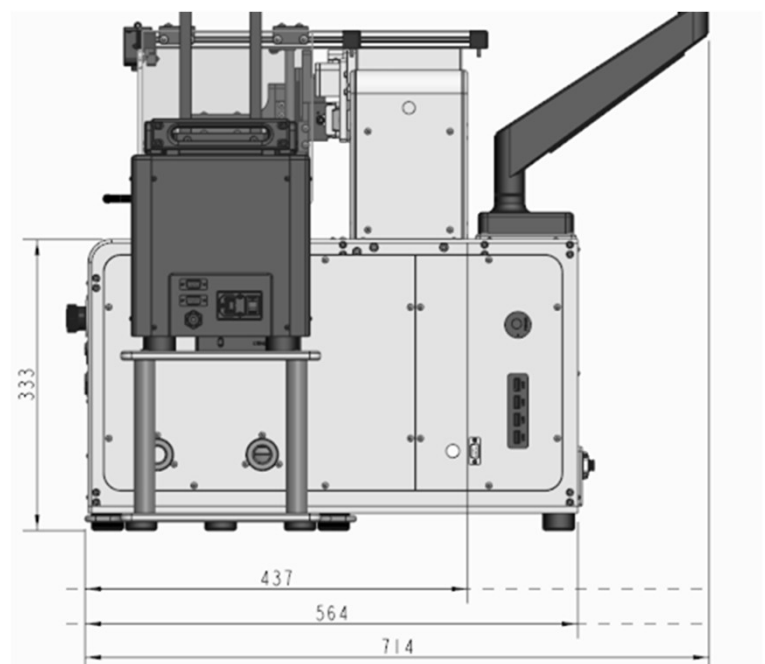
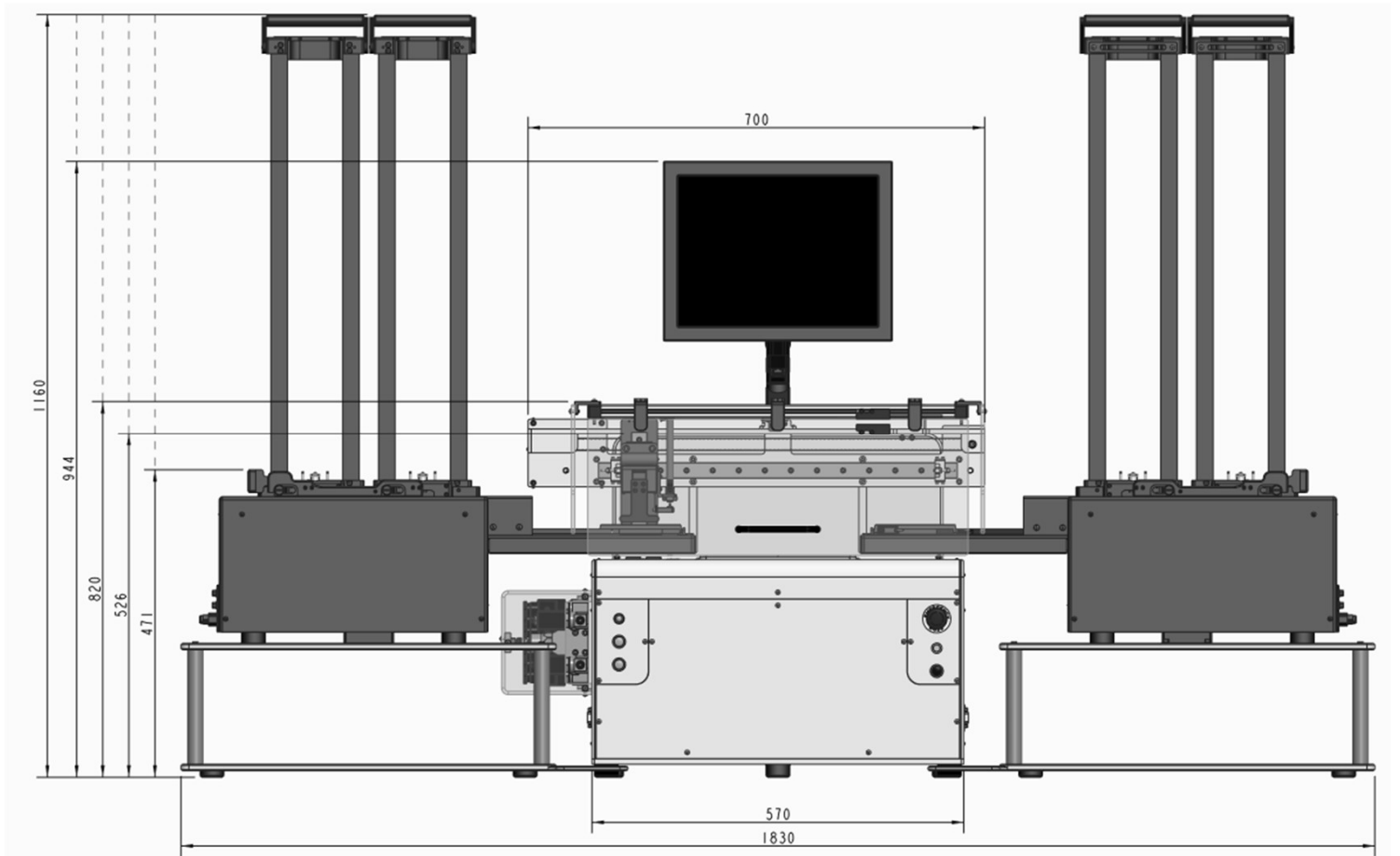


plate washer



Key Features:

- Throughput:** Average washing and drying cycle in just 1 minute
- Operator Friendly:** Easy to program and operate with intuitive software
- Versatile:** Customisable methods for washing and drying plates
- Reliable:** Engineered with robustness in mind

System Requirements:

- Electric:** The unit can handle both 110 / 220 VAC – Regulated to 24 VDC
- Pneumatic:** The unit requires a supply rated to min 5.5bar max 7bar
- Liquid Supply:** Working range 1 – 6 Bar
- Liquid Types:** H2O, H2O2, Bleach (other liquids may be used based on compatibility check)
- Compatible Microplates:** Most skirted 96 & 384 will work with Plate Washer (10mm min. height).

	Plate Washer
4 Selectable liquid types for washing	✓
Customisable washing & drying methods	✓
Pre-run pressure check for safety and compatibility	✓
Fully automated for efficiency	✓
96 and 384 Well Microplates	✓
Plate height range 10 – 50mm	✓